

IR2154

SELF-OSCILLATING HALF-BRIDGE DRIVER

Features

- Integrated 600V half-bridge gate driver
- 15.6V zener clamp on V_{CC}
- True micropower start up
- Tighter initial deadtime control
- Low temperature coefficient deadtime
- Shutdown feature (1/6th V_{CC}) on C_T pin
- Increased undervoltage lockout Hysteresis (1V)
- Lower power level-shifting circuit
- Constant LO, HO pulse widths at startup
- Lower di/dt gate driver for better noise immunity
- High side output in phase with R_T
- Excellent latch immunity on all inputs and outputs
- ESD protection on all leads

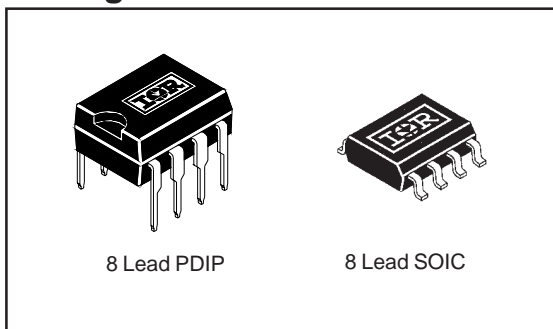
Description

The IR2154 is an improved version of the popular IR2152 gate driver IC, and incorporates a high voltage half-bridge gate driver with a front end oscillator similar to the industry standard CMOS 555 timer. The IR2154 provides more functionality and is easier to use than previous ICs. A shutdown feature has been designed into the C_T pin, so that both gate driver outputs can be disabled using a low voltage control signal. In addition, the gate driver output pulse widths are the same once the rising undervoltage lockout threshold on V_{CC} has been reached, resulting in a more stable profile of frequency vs time at startup. Noise immunity has been improved significantly, both by lowering the peak di/dt of the gate drivers, and by increasing the undervoltage lockout hysteresis to 1V. Finally, special attention has been paid to maximizing the latch immunity of the device, and providing comprehensive ESD protection on all pins.

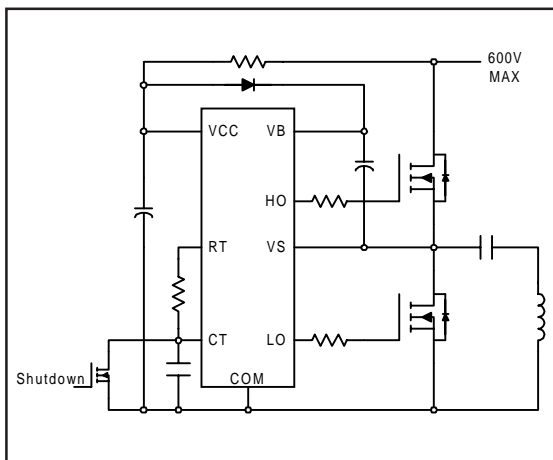
Product Summary

V _{OFFSET}	600V max.
Duty Cycle	50%
T _r /T _p	80/40ns
V _{clamp}	15.6V
Deadtime (typ.)	1.2 μs

Packages



Typical Connection



Absolute Maximum Ratings

Absolute maximum ratings indicate sustained limits beyond which damage to the device may occur. All voltage parameters are absolute voltages referenced to COM, all currents are defined positive into any lead. The thermal resistance and power dissipation ratings are measured under board mounted and still air conditions.

Symbol	Definition	Min.	Max.	Units	
V _B	High side floating supply voltage	-0.3	625	V	
V _S	High side floating supply offset voltage	V _B - 25	V _B + 0.3		
V _{HO}	High side floating output voltage	V _S - 0.3	V _B + 0.3		
V _{LO}	Low side output voltage	-0.3	V _{CC} + 0.3		
V _{RT}	R _T pin voltage	-0.3	V _{CC} + 0.3		
V _{CT}	C _T pin voltage	-0.3	V _{CC} + 0.3		
I _{CC}	Supply current (note 1)	—	25	mA	
I _{RT}	R _T pin current	-5	5		
dV _S /dt	Allowable offset voltage slew rate	-50	50	V/ns	
P _D	Maximum power dissipation @ T _A ≤ +25°C	(8 Lead DIP)	—	1.0	W
		(8 Lead SOIC)	—	0.625	
R _{thJA}	Thermal resistance, junction to ambient	(8 Lead DIP)	—	125	°C/W
		(8 Lead SOIC)	—	200	
T _J	Junction temperature	-55	150	°C	
T _S	Storage temperature	-55	150		
T _L	Lead temperature (soldering, 10 seconds)	—	300		

Recommended Operating Conditions

For proper operation the device should be used within the recommended conditions.

Symbol	Definition	Min.	Max.	Units
V _{BS}	High side floating supply voltage	V _{CC} - 0.7	V _{CLAMP}	V
V _S	Steady state high side floating supply offset voltage	-3.0 (note 2)	600	
V _{CC}	Supply voltage	10	V _{CLAMP}	
I _{CC}	Supply current	(note 3)	5	mA
T _J	Junction temperature	-40	125	

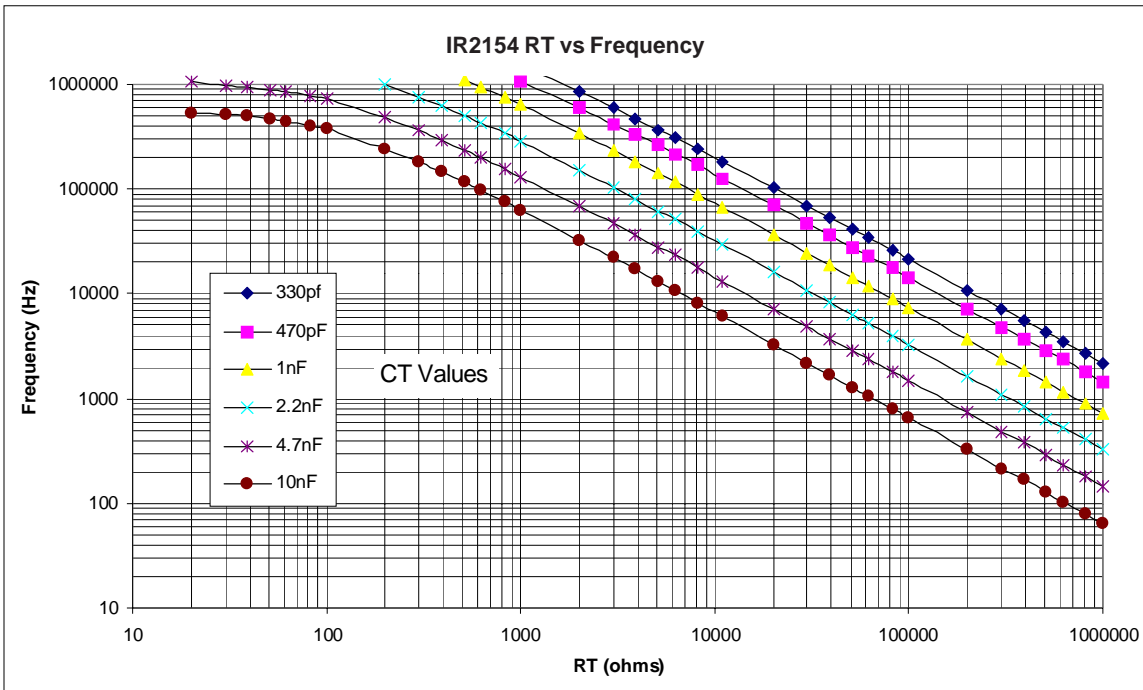
Note 1: This IC contains a zener clamp structure between the chip V_{CC} and COM which has a nominal breakdown voltage of 15.6V. Please note that this supply pin should not be driven by a DC, low impedance power source greater than the V_{CLAMP} specified in the Electrical Characteristics section.

Note 2: Care should be taken to avoid output switching conditions where the V_S node flies inductively below ground by more than 5V.

Note 3: Enough current should be supplied to the V_{CC} pin of the IC to keep the internal 15.6V zener diode clamping the voltage at this pin.

Recommended Component Values

Symbol	Component	Min.	Max.	Units
R_T	Timing resistor value	10	—	$k\Omega$
C_T	C_T pin capacitor value	330	—	μF



Electrical Characteristics

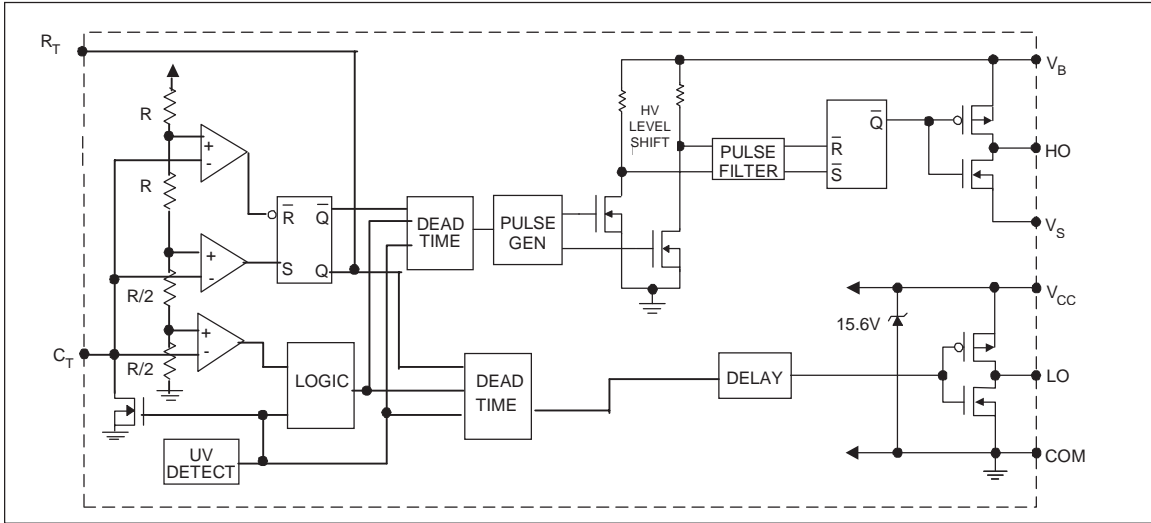
V_{BIAS} (V_{CC} , V_{BS}) = 12V, C_L = 1000 pF, C_T = 1 nF and T_A = 25°C unless otherwise specified. The V_{IN} , V_{TH} and I_{IN} parameters are referenced to COM. The V_O and I_O parameters are referenced to COM and are applicable to the respective output leads: HO or LO.

Low Voltage Supply Characteristics						
Symbol	Definition	Min.	Typ.	Max.	Units	Test Conditions
V_{CCUV+}	Rising V_{CC} undervoltage lockout threshold	8.1	9.0	9.9	V	
V_{CCUV-}	Falling V_{CC} undervoltage lockout threshold	7.2	8.0	8.8		
V_{CCUVH}	V_{CC} undervoltage lockout Hysteresis	0.5	1.0	1.5		
I_{QCCUV}	Micropower startup V_{CC} supply current	—	75	150	μA	$V_{CC} \leq V_{CCUV-}$
I_{QCC}	Quiescent V_{CC} supply current	—	500	950		
V_{CLAMP}	V_{CC} zener clamp voltage	14.4	15.6	16.8	V	$I_{CC} = 5mA$

Electrical Characteristics (cont.)

Floating Supply Characteristics							
Symbol	Definition	Min.	Typ.	Max.	Units	Test Conditions	
I _{QBSUV}	Micropower startup V _{BS} supply current	—	0	10	μA	V _{CC} ≤ V _{CCUV-}	
I _{QBS}	Quiescent V _{BS} supply current	—	30	50			
V _{BSMIN}	Minimum required V _{BS} voltage for proper functionality from R _T to HO	—	4.0	5.0	V	V _{CC} =V _{CCUV+} + 0.1V	
I _{LK}	Offset supply leakage current	—	—	50	μA	V _B = V _S = 600V	
Oscillator I/O Characteristics							
Symbol	Definition	Min.	Typ.	Max.	Units	Test Conditions	
f _{osc}	Oscillator frequency	19.4	20	20.6	kHz	R _T = 36.9kΩ	
		94	100	106		R _T = 7.43kΩ	
d	R _T pin duty cycle	48	50	52	%	f _o < 100kHz	
I _{CT}	CT pin current	—	0.001	1.0	uA		
I _{CTUV}	UV-mode CT pin pulldown current	0.30	0.70	1.2	mA	V _{CC} = 7V	
V _{CT+}	Upper CT ramp voltage threshold	—	8.0	—	V		
V _{CT-}	Lower CT ramp voltage threshold	—	4.0	—			
V _{CTSD}	CT voltage shutdown threshold	1.8	2.1	2.4			
V _{RT+}	High-level R _T output voltage, V _{CC} - V _{RT}	—	10	50	mV	I _{RT} = 100μA	
V _{RT-}	Low-level R _T output voltage	—	100	300		I _{RT} = 1mA	
		—	10	50		I _{RT} = 100μA	
V _{RTUV}	UV-mode R _T output voltage	—	100	300		I _{RT} = 1mA	V _{CC} ≤ V _{CCUV-}
		—	0	100			
V _{RTSD}	SD-Mode R _T output voltage, V _{CC} - V _{RT}	—	10	50		I _{RT} = 100μA, V _{CT} = 0V	
		—	10	300	I _{RT} = 1mA, V _{CT} = 0V		
Gate Driver Output Characteristics							
Symbol	Definition	Min.	Typ.	Max.	Units	Test Conditions	
V _{OH}	High level output voltage, V _{BIAS} - V _O	—	0	100	mV	I _O = 0A	
V _{OL}	Low-level output voltage, V _O	—	0	100		I _O = 0A	
V _{OL_UV}	UV-mode output voltage, V _O	—	0	100		I _O = 0A V _{CC} ≤ V _{CCUV-}	
t _r	Output rise time	—	80	150	nsec		
t _f	Output fall time	—	45	100			
t _{sd}	Shutdown propagation delay	—	660	—			
t _d	Output deadtime (HO or LO)	0.35	0.60	0.85		μsec	

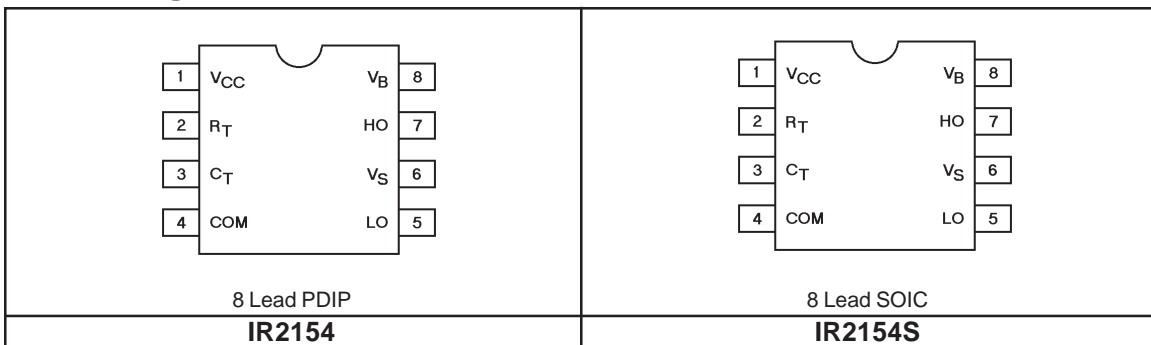
Functional Block Diagram



Lead Definitions

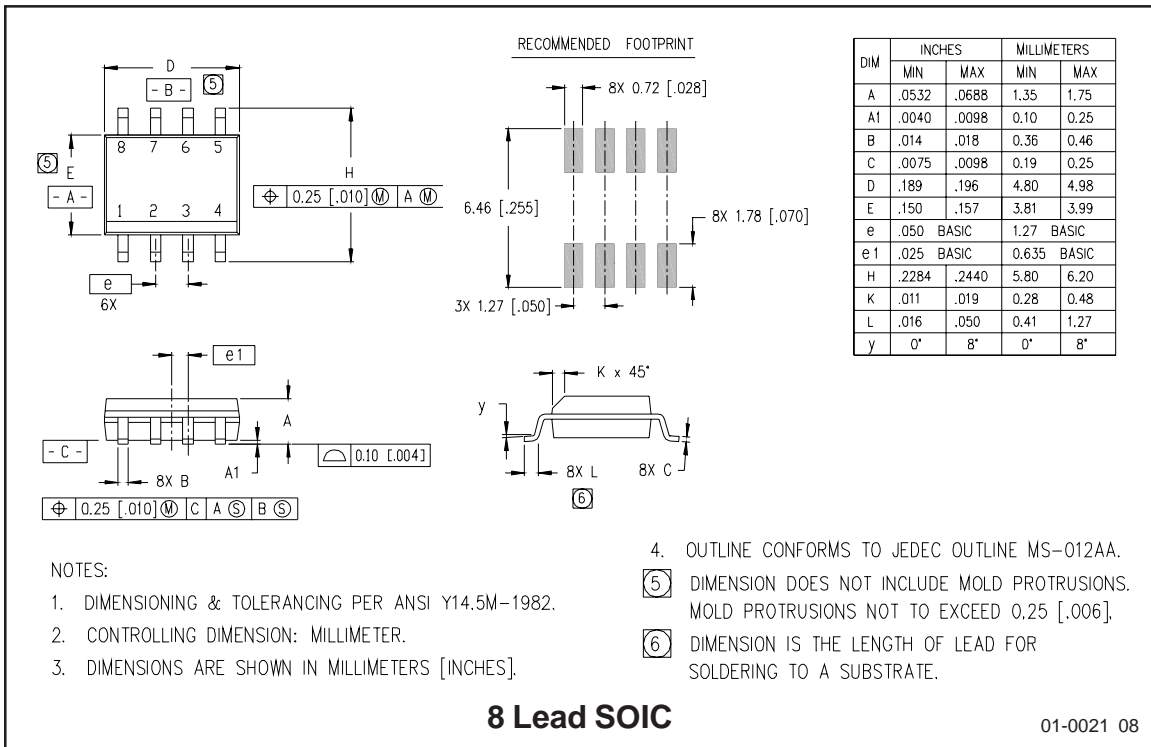
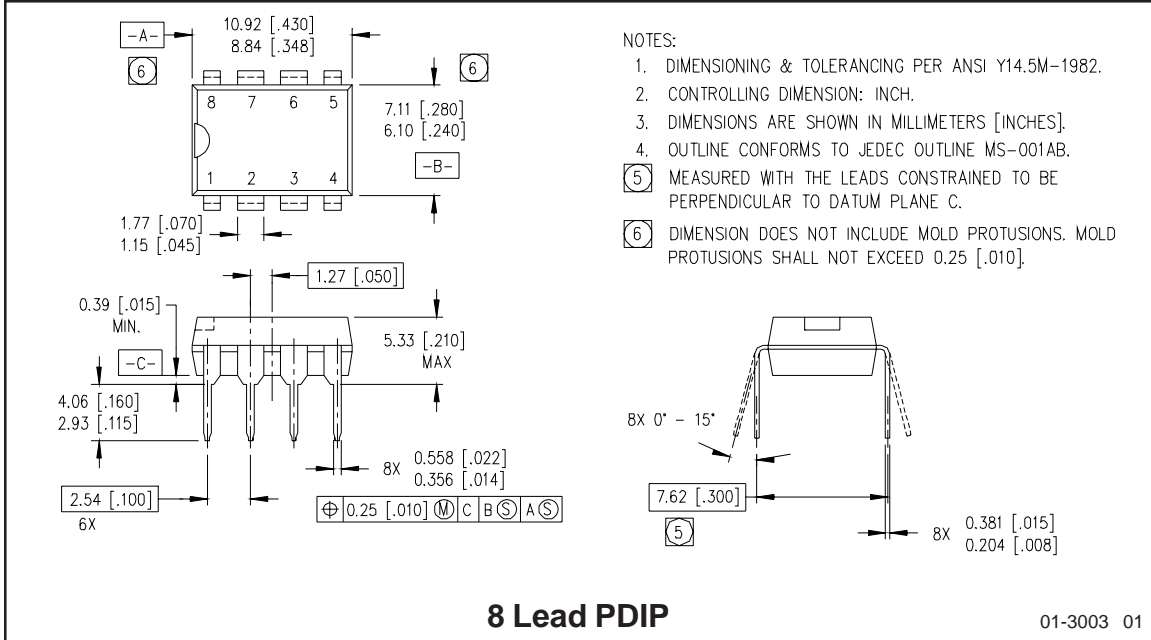
Symbol	Description
V _{CC}	Logic and internal gate drive supply voltage
R _T	Oscillator timing resistor input
C _T	Oscillator timing capacitor input
COM	IC power and signal ground
LO	Low side gate driver output
V _S	High voltage floating supply return
HO	High side gate driver output
V _B	High side gate driver floating supply

Lead Assignments



IR2154

International
 Rectifier



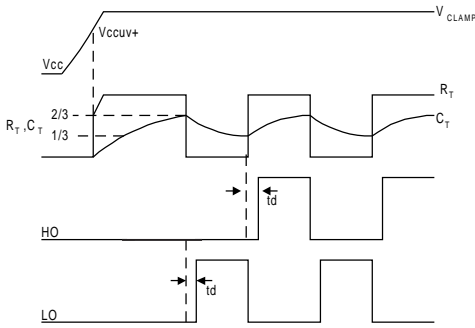


Figure 1. Input/Output Timing Diagram

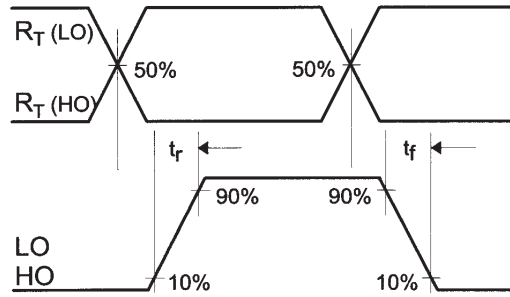


Figure 2. Switching Time Waveform Definitions

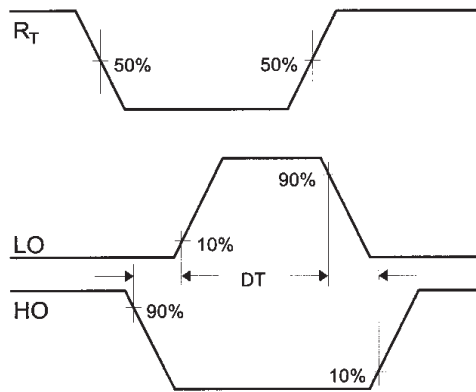


Figure 3. Deadtime Waveform Definitions